



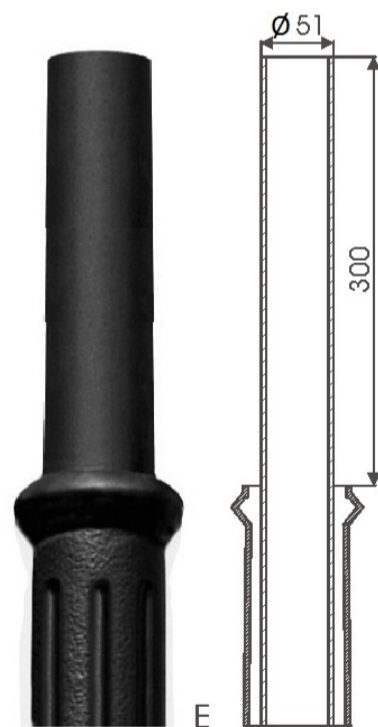
Technical data

Pole			SM-1W**
Height H [m]			4,44
Colour			black
Standard pole (code)	Spigot ending	E	15551
High thermal resistance pole (code)			15551F
Net weight [kg]			48
Volume [m ³]*			0,16
Compatible extension arms			WTM
Concrete footing / reinforcement basket			B-40 / Z-40
Concrete footing code/reinforcement basket			311140 / 311204
Nut set code			311003

* * For order of more than 10 pcs stated volume may change according to packing

** pole with chamber

Spigot ending types



Pole base scheme

