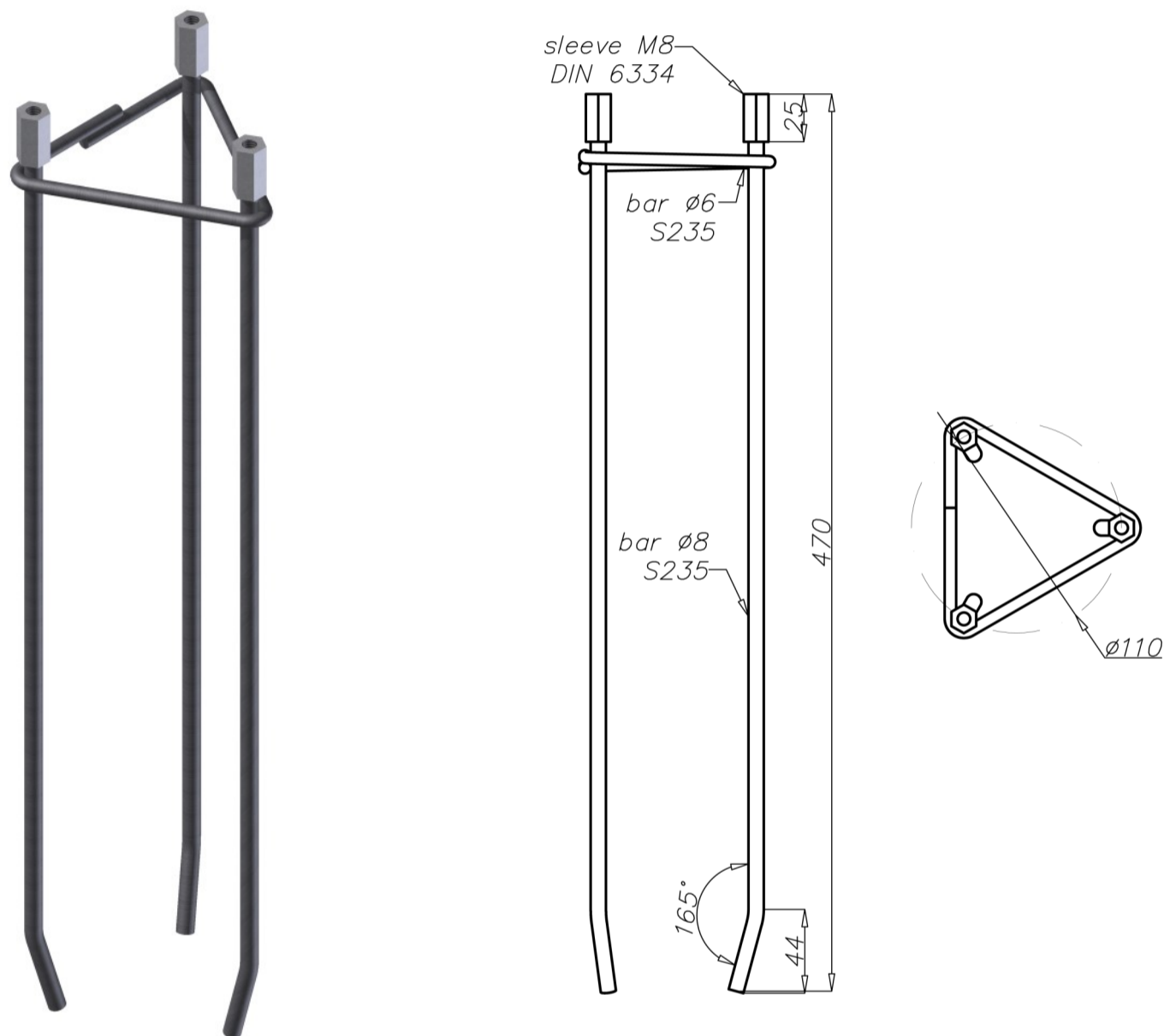


Reinforcement basket Z-0A



Technical data

Reinforcement basket	Z-0A
Code	311200A
Weight [kg]	0,7
Hot galvanized nut set	M8x20 A2 DIN 6921 stainless steel
Application	for mounting SAP