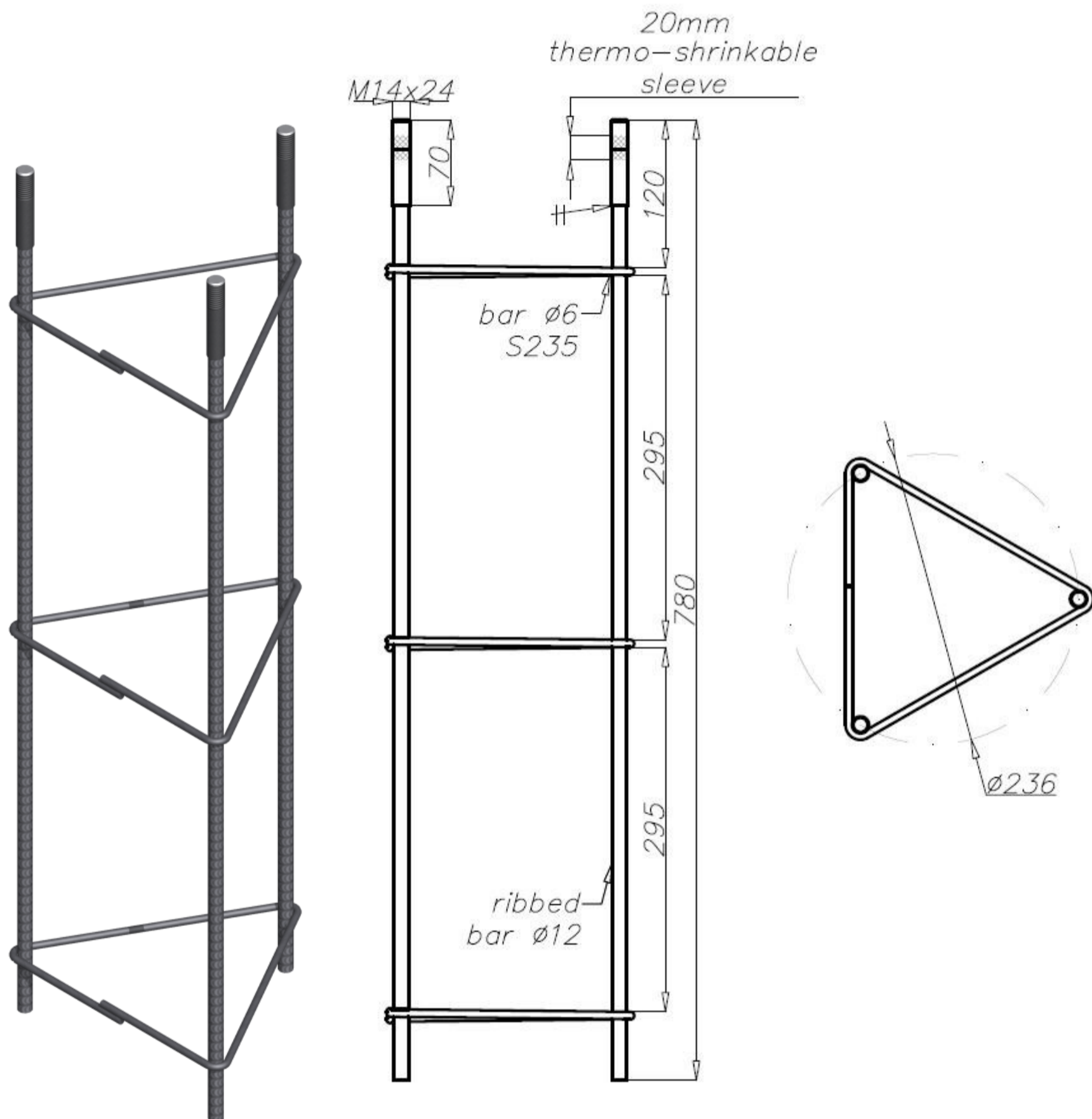


Reinforcement basket Z-31



Technical data

| | |
|------------------------|-------------------------|
| Reinforcement basket | Z-31 |
| Code | 311231 |
| Weight [kg] | 2,61 |
| Hot galvanized nut set | 311003 |
| Application | for mounting SAL DECO-3 |