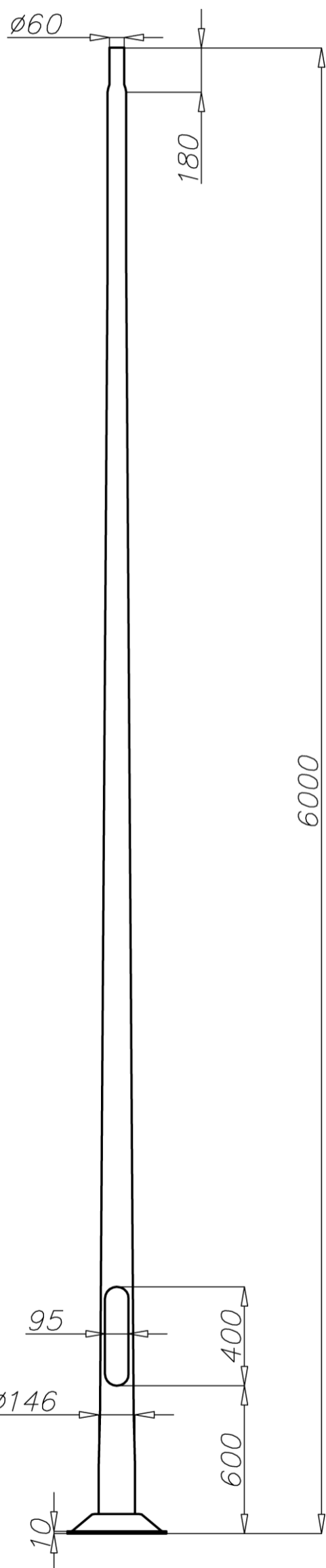


Aluminium column SAL-60H

diameter 146 mm at the base plate



Technical data

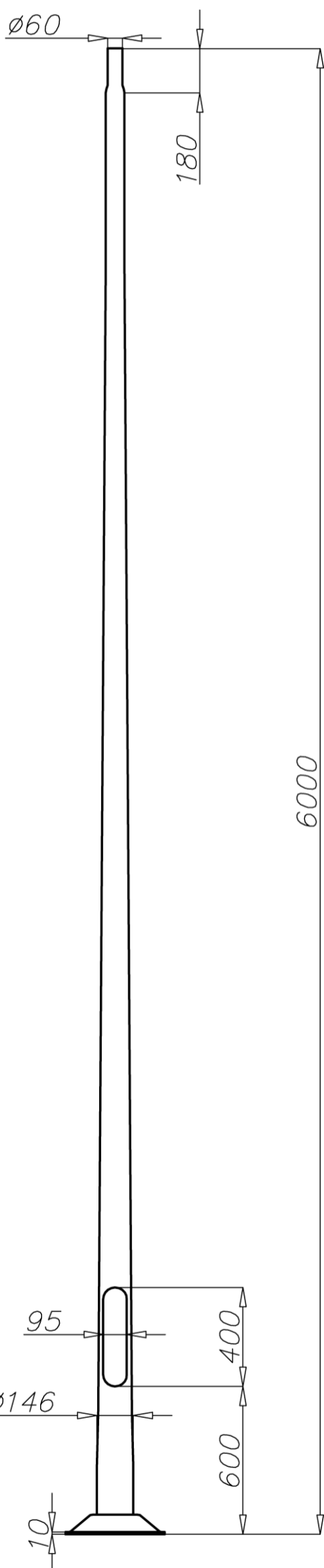
Aluminium Column	SAL-60H
Product code	42335
Column height H [m]	6
Wall thickness [mm]	4,2
Net weight [kg]	27,1
Volume [m ³]	0,392
Post top column	luminaires with $\varnothing 60$ spigot entry with weight and windage not exceeding data in resistance calculations
Compatible extension arms	according to resistance calculations
Concrete footing / reinforcement basket	B-71 / Z-71
Concrete footing code/reinforcement basket code	311171 / 311271
Hot galvanized nut set /Hot galvanized ripable nut set	4012 / 4013

Resistance calculations

SAL-60H code 42335		acceptable windage of single luminaire [m ²] for C _x =0,7			
		Vref. = 22 m/s	Vref. = 24 m/s	Vref. = 26 m/s	Vref. = 28 m/s
extension arm type	acceptable weight of single luminaire	I zone, II location category	I and III zone, II location category to 450m AMSL	II zone, II location category	III zone, II location category to 755m AMSL
WA-01	10	1,04	0,86	0,62	0,55
WA-1	10	1,06	0,88	0,64	0,57
WA-2	10	0,87	0,71	0,49	0,43
WA-4	10	0,75	0,60	0,4	0,34
WA-5/1	10	0,64	0,51	0,35	0,30
WA-5/2	8	0,32	0,25	0,14	x
WA-8/1	10	0,71	0,58	0,39	0,34
WA-8/2	8	0,33	0,25	0,15	x
WA-11/1	10	0,7	0,56	0,37	0,32
WA-11/2	8	0,37	0,28	0,16	x
WA-14/1	10	0,72	0,58	0,4	0,34
WA-14/2	8	0,38	0,29	0,17	0,13
WA-15/1 P	10	0,75	0,61	0,42	0,36
WA-15/1 U	15	0,54	0,43	0,29	0,24
WA-15/2	8/15	0,31	0,24	0,14	x
WA-20/1	10	0,43	0,32	0,18	0,13
WA-20/2	8	0,13	x	x	x
WR-1/1	15	0,79	0,66	0,48	0,42
WR-1/2	15	0,41	0,34	0,23	0,20
WR-2/1	15	0,56	0,46	0,32	0,27
WR-2/2	15	0,34	0,27	0,17	0,14
WR-2/3	15	0,25	0,19	x	x
WR-3/1	15	0,52	0,42	0,29	0,25
WR-3/2	15	0,34	0,26	x	x
WR-4/1	15	0,74	0,61	0,44	0,39
WR-4/2	15	0,42	0,34	0,24	0,21
WR-5A/1	15	0,58	0,47	0,32	0,27
WR-5A/2	15	0,31	0,24	0,15	0,13
WR-6A/1	15	0,85	0,71	0,51	0,45

Aluminium column SAL-60H

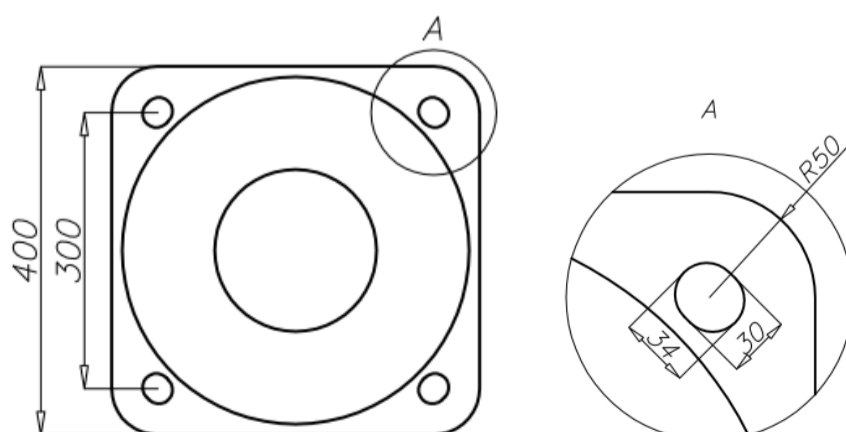
diameter 146 mm at the base plate



Resistance calculations

SAL-60H code 42335		acceptable windage of single luminaire [m ²] for Cx=0,7			
		Vref. = 22 m/s	Vref. = 24 m/s	Vref. = 26 m/s	Vref. = 28 m/s
extension arm type	acceptable weight of single luminaire	I zone, II location category	I and III zone, II location category to 450m AMSL	II zone, II location category	III zone, II location category to 755m AMSL
WR-8/1	15	0,4	0,31	0,18	0,15
WR-8A/1	15	0,6	0,48	0,33	0,29
WR-9/1	15	0,39	0,30	0,17	0,14
WR-12/1	15	0,42	0,32	0,19	0,16
WR-13/1	15	0,58	0,46	0,3	0,26
WR-13/2	15	0,32	0,24	0,14	x
WR-13/3	15	0,23	0,17	x	x
WR-14/1	15	0,47	0,37	0,25	0,21
WR-14/2	15	0,26	0,21	0,14	x
WR-14/3	10	0,20	0,15	x	x
WR-14/1/1,5/5	15	0,35	0,27	0,19	0,13
WR-14/2/1,5/5	10	0,24	0,17	x	x
WR-15/1	15	0,56	0,45	0,3	0,26
WR-15/2	15	0,36	0,28	0,17	0,14
WR-17/1	10	0,25	0,17	x	x
WR-18	15	0,31	0,23	x	x
WR-18A	15	0,23	0,15	x	x
WR-31	15	0,27	0,17	x	x
WR-61	15	0,32	0,23	0,13	0,14
WR- T1/1,5	15	0,37	0,28	0,19	0,14
WR- T2/1,5	10	0,28	0,20	x	x
WN-1	15	0,74 (Cx=1)	0,62 (Cx=1)	0,46 (Cx=1)	0,41 (Cx=1)
WN-2	15	0,35 (Cx=1)	0,29 (Cx=1)	0,21 (Cx=1)	0,19 (Cx=1)
WN-21	15	0,33 (Cx=1)	0,27 (Cx=1)	0,19 (Cx=1)	0,17 (Cx=1)

SAL-60H code 42335		acceptable windage of luminaires and extension arms [m ²] for Cx=1			
		Vref. = 22 m/s	Vref. = 24 m/s	Vref. = 26 m/s	Vref. = 28 m/s
acceptable mass of luminaires and extension arms [kg]		I zone, II location category	I and III zone, II location category to 450m AMSL	II zone, II location category	III zone, II location category to 755m AMSL
30		0,79	0,66	0,50	0,45



- surface: polished aluminium
- anodising in 10 colours, each with possibility of brightening
- option of powder painting in RAL colours (other colours available on request)
- elastomer protection in the color of the column to a height of 350 mm (other height on request)
- ROSA standard wiring chamber
- packing: sleeve material
- passive safety certificate 100NE2