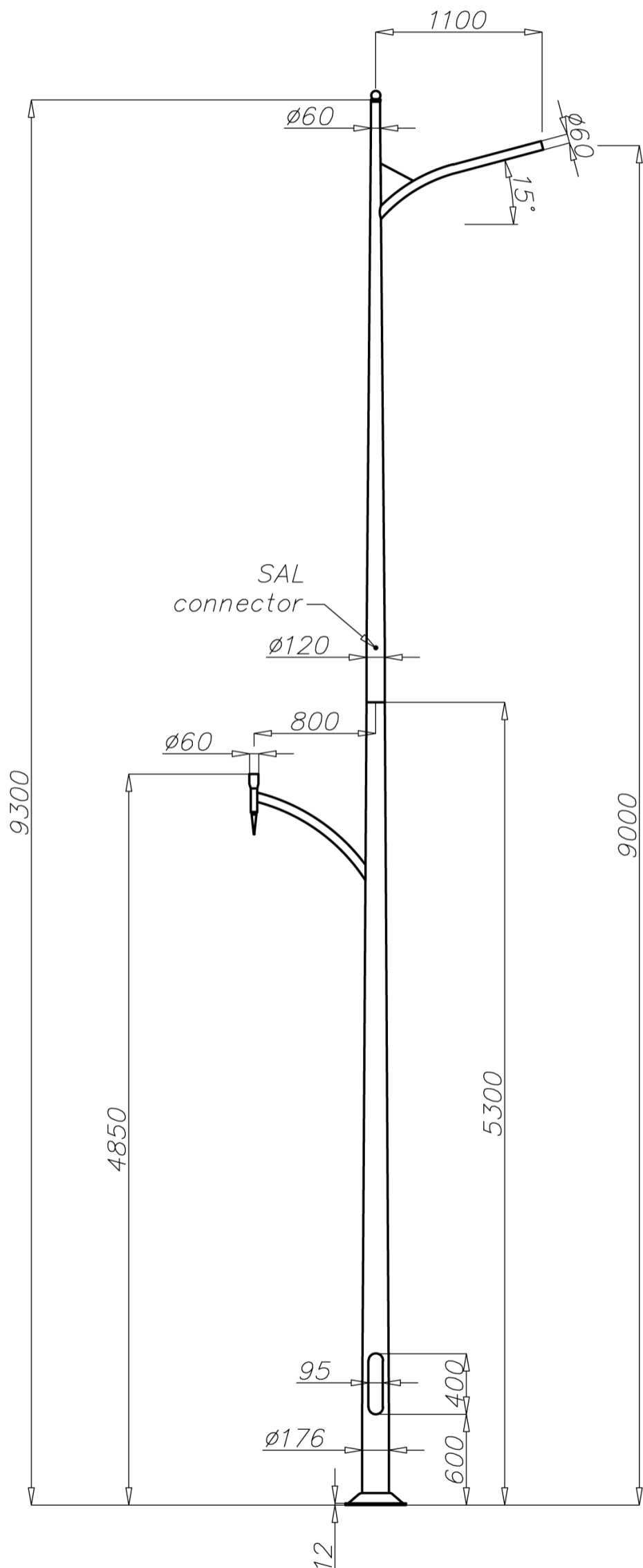


# Aluminium column SAL-U1

diameter 176 mm at the base plate



## Technical data

Aluminium Column	SAL-U1
Product code	42465
Column height H [m]	9,3
Wall thickness [mm]	4,3
Net weight [kg]	51,0
Volume [m <sup>3</sup> ]	1,79
Post top column	luminaires with $\phi 60$ spigot entry with weight and windage not exceeding data in resistance calculations
Concrete footing / reinforcement basket	B-70 / Z-70
Concrete footing code/reinforcement basket code	311170 / 311207
Hot galvanized nut set / Hot galvanized ripable nut set	4012 / 4013

## Resistance calculations

SAL-U1 code 42465	acceptable windage of single luminaire [m <sup>2</sup> ] for $C_x=0,7$			
	Vref. = 22 m-s	Vref. = 24 m-s	Vref. = 26 m-s	Vref. = 28 m-s
acceptable mass of a single luminaire [kg]	I zone, II location category	I and III zone, II location category to 450m AMSL	II zone, II location category	III zone, II location category to 755m AMSL
15	0,54	0,42	0,26	0,22

- surface: polished aluminium
- anodising in 10 colours, each with possibility of brightening
- option of powder painting in RAL colours (other colours available on request)
- elastomer protection option in the color of the column to a height of 350 mm (other height on request)
- ROSA standard wiring chamber
- packing: sleeve material
- possibility of fixing the light endings
- passive safety certificate 100NE2

