

Aluminium column SAL-P11

diameter 176 mm at the base plate



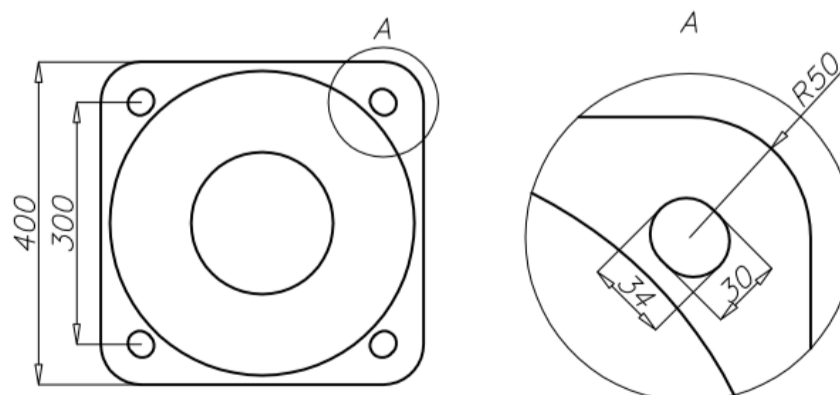
Technical data

| | |
|---|---|
| Aluminium Column | SAL-P11 |
| Product code | 42481 |
| Column height H [m] | 10,3 |
| Wall thickness [mm] | 4,3 |
| Net weight [kg] | 59,4 |
| Volume [m ³] | 1,03 |
| Post top column | luminaires with $\varnothing 60$ spigot entry with weight and windage not exceeding data in resistance calculations |
| Concrete footing / reinforcement basket | B-70 / Z-70 |
| Concrete footing code/reinforcement basket code | 311170 / 311207 |
| Hot galvanized nut set / Hot galvanized ripable nut set | 4012 / 4013 |

Resistance calculations

| SAL-P11 code 42481 | acceptable windage of single luminaire [m ²] for $C_x=0,7$ | | | |
|--|--|---|----------------------------------|---|
| | Vref. = 22 m-s | Vref. = 24 m-s | Vref. = 26 m-s | Vref. = 28 m-s |
| acceptable mass of a single luminaire [kg] | I zone, II location category | I and III zone, II location category to 450m AMSL | II zone, II location category | III zone, II location category to 755m AMSL |
| 15 | 0,44 | 0,32 | 0,16 | 0,12 |

- surface: polished aluminium
- anodising in 10 colours, each with possibility of brightening
- option of powder painting in RAL colours (other colours available on request)
- elastomer protection option in the color of the column to a height of 350 mm (other height on request)
- ROSA standard wiring chamber
- packing: sleeve material
- possibility of fixing the light endings
- passive safety certificate 100NE2



SAL connector

 $\varnothing 120$

1200

 $\varnothing 60$

10°

95

 $\varnothing 176$

12

6300

10000