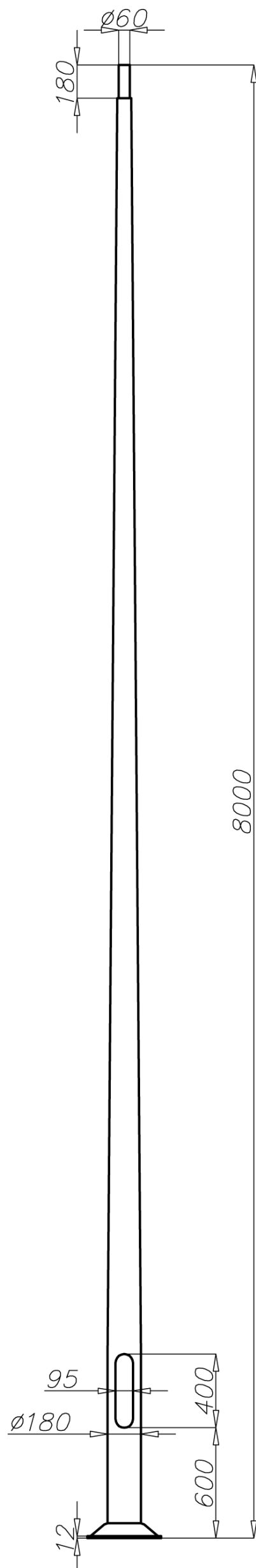


Aluminium column SAL-80M

diameter 180 mm at the base plate



Technical data

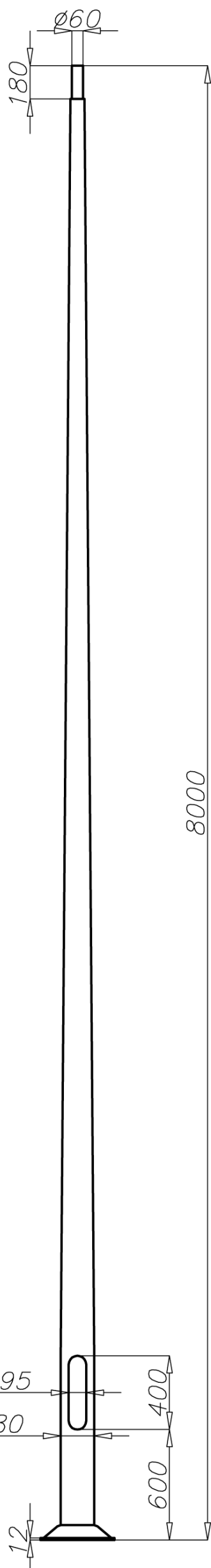
Aluminium Column	SAL-80M
Product code	42755
Column height H [m]	8
Wall thickness [mm]	4,3
Net weight [kg]	42,7
Volume [m ³]	0,523
Post top column	luminaires with $\varnothing 60$ spigot entry with weight and windage not exceeding data in resistance calculations
Compatible extension arms	according to resistance calculations
Concrete footing / reinforcement basket	B-71, B-70 / Z-71, Z-70
Concrete footing code/reinforcement basket code	311171, 311170/311271, 311207
Hot galvanized nut set /Hot galvanized ripable nut set	4012 / 4013

Resistance calculations

SAL-80M code 42755		acceptable windage of single luminaire [m ²] for Cx=0,7			
		Vref. = 22 m/s	Vref. = 24 m/s	Vref. = 26 m/s	Vref. = 28 m/s
extension arm type	acceptable weight of single luminaire	I zone, II location category	I and III zone, II location category to 450m AMSL	II zone, II location category	III zone, II location category to 755m AMSL
WR-1/1	15	1,13	0,95	0,72	0,65
WR-1/2	15	0,55	0,46	0,34	0,30
WR-2/1	15	0,91	0,75	0,55	0,49
WR-2/2	15	0,48	0,39	0,27	0,24
WR-2/3	15	0,35	0,29	0,19	0,17
WR-3/1	15	0,86	0,72	0,52	0,47
WR-3/2	15	0,48	0,39	0,27	0,23
WR-4/1	15	1,08	0,91	0,68	0,62
WR-4/2	15	0,56	0,47	0,34	0,30
WR-5A/1	15	0,91	0,75	0,55	0,49
WR-5A/2	15	0,45	0,37	0,26	0,22
WR-6A/1	15	1,16	0,97	0,73	0,66
WR-8/1	15	0,69	0,56	0,38	0,33
WR-8A/1	15	0,92	0,77	0,56	0,50
WR-9/1	15	0,67	0,54	0,37	0,32
WR-9/2	15	0,27	0,20	0,11	x
WR-13/1	15	0,92	0,76	0,54	0,47
WR-13/2	15	0,46	0,36	0,24	0,20
WR-13/3	15	0,34	0,26	0,17	0,14
WR-14/1	15	0,79	0,65	0,47	0,42
WR-14/2	15	0,42	0,33	0,24	0,18
WR-14/3	15	0,29	0,23	0,16	x
WR-14/1/1,5/5	15	0,67	0,54	0,41	0,33
WR-14/2/1,5/5	15	0,37	0,28	0,19	0,13
WR-14/3/1,5/5	15	0,25	0,19	x	x
WR-15/1	15	0,90	0,75	0,54	0,48
WR-15/2	15	0,50	0,40	0,27	0,23

Aluminium column SAL-80M

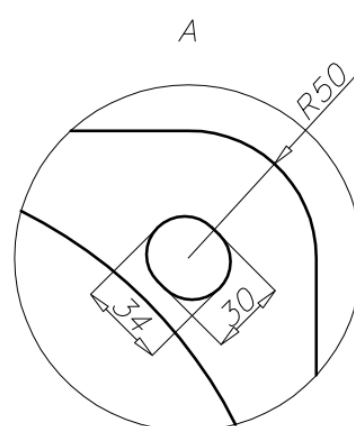
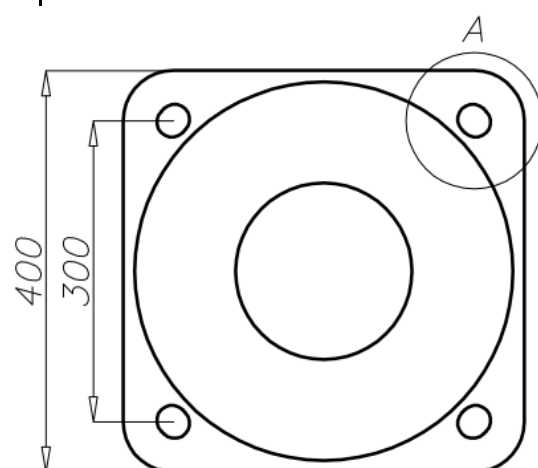
diameter 180 mm at the base plate



Resistance calculations

SAL-80M code 42755		acceptable windage of single luminaire [m ²] for C _x =0,7			
		Vref. = 22 m/s	Vref. = 24 m/s	Vref. = 26 m/s	Vref. = 28 m/s
extension arm type	acceptable weight of single luminaire	I zone, II location category	I and III zone, II location category to 450m AMSL	II zone, II location category	III zone, II location category to 755m AMSL
WR-17/1	10	0,55	0,43	0,27	0,22
WR-17/2	8	0,25	0,17	x	x
WR-18	15	0,60	0,48	0,32	0,27
WR-18A	15	0,49	0,38	0,23	0,19
WR-18B	15	0,41	0,30	0,17	0,13
WR-61	15	0,59	0,47	0,30	0,26
WR-T1/1,5	15	0,69	0,56	0,42	0,34
WR-T2/1,5	15	0,40	0,30	0,20	0,14
WRP1/1,0/0,7/5	15	0,85	0,71	0,51	0,45
WRP1/1,0/1,2/5	15	0,73	0,59	0,41	0,36
WRP1/1,5/0,7/5	15	0,72	0,59	0,41	0,36
WRP1/1,5/1,2/5	15	0,61	0,48	0,32	0,27
WRP2/1,0/0,7/5	15	0,48	0,38	0,26	0,23
WRP2/1,0/1,2/5	15	0,39	0,30	0,19	0,16
WRP2/1,5/0,7/5	15	0,42	0,33	0,21	0,18
WRP2/1,5/1,2/5	15	0,33	0,25	0,14	0,11
WRP3/1,0/0,7/5	15	0,37	0,30	0,21	0,18
WRP3/1,0/1,2/5	15	0,30	0,24	0,15	0,13
WRP3/1,5/0,7/5	15	0,34	0,27	0,18	0,15
WRP3/1,5/1,2/5	15	0,27	0,20	0,12	0,10
WN-1	15	0,95 (C _x =1)	0,81 (C _x =1)	0,61 (C _x =1)	0,56 (C _x =1)
WN-2	15	0,44 (C _x =1)	0,37 (C _x =1)	0,28 (C _x =1)	0,26 (C _x =1)
WN-21	15	0,42 (C _x =1)	0,35 (C _x =1)	0,26 (C _x =1)	0,23 (C _x =1)
WN-3	15	0,32 (C _x =1)	0,26 (C _x =1)	0,19 (C _x =1)	0,17 (C _x =1)
WN-4	12	0,31 (C _x =1)	0,26 (C _x =1)	0,19 (C _x =1)	0,17 (C _x =1)
WN-42	12	0,31 (C _x =1)	0,25 (C _x =1)	0,18 (C _x =1)	0,17 (C _x =1)

SAL-80M code 42755		acceptable windage of luminaires and extension arms [m ²] for C _x =1			
		Vref. = 22 m/s	Vref. = 24 m/s	Vref. = 26 m/s	Vref. = 28 m/s
acceptable mass of luminaires and extension arms [kg]		I zone, II location category	I and III zone, II location category to 450m AMSL	II zone, II location category	III zone, II location category to 755m AMSL
50		0,90	0,76	0,58	0,53



- surface: polished aluminium
- anodising in 10 colours, each with possibility of brightening
- option of powder painting in RAL colours (other colours available on request)
- elastomer protection in the color of the column to a height of 350 mm (other height on request)
- ROSA standard wiring chamber
- packing: sleeve material
- passive safety certificate 100NE2