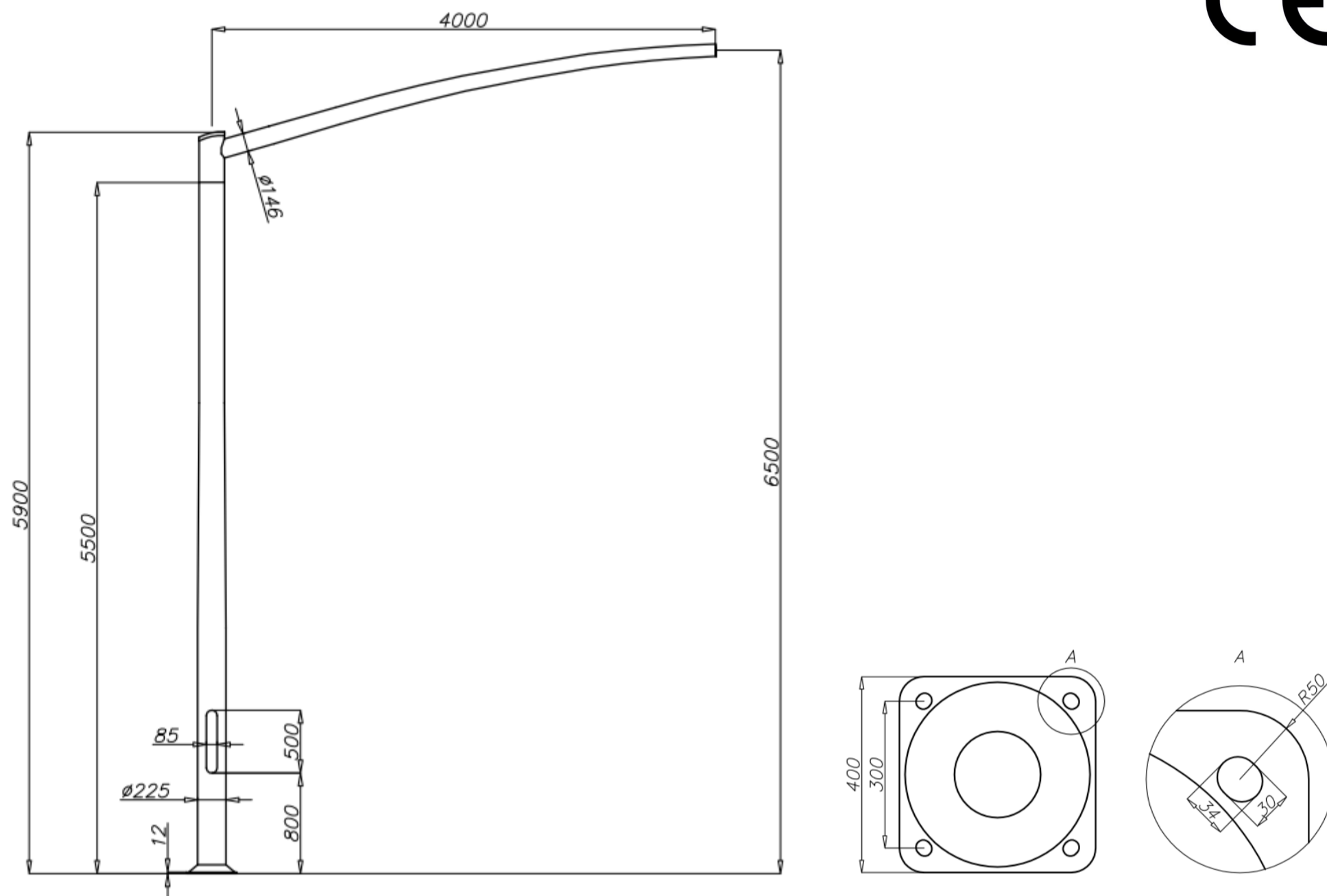


Aluminium column SAL SYG 65-4

diameter 225 mm at the base plate



Technical data

Aluminium Column	SAL SYG 65-4
Product code	42810
Column height H [m]	6,5
Wall thickness [mm]	5
Net weight [kg]	90,2
Volume [m ³]	0,84
Post top column	traffic signal lights and signs with weight and windage not exceeding data in resistance calculations
Concrete footing / reinforcement basket	B-80 / Z-80
Concrete footing code / reinforcement basket code	311180/311208
Hot galvanized nut set /Hot galvanized ripable nut set	4012/4014

- surface: polished aluminium
- anodising in 10 colours, each with possibility of brightening
- option of powder painting in RAL colours (other colours available on request)
- elastomer protection option in the color of the column to a height of 350 mm (other height on request)
- packing: sleeve material

Resistance calculations

SAL SYG 65-4 code 42810	acceptable windage of traffic signal lights and signs [m ²] for C _x =1,2			
	V _{ref.} = 22 m/s	V _{ref.} = 24 m/s	V _{ref.} = 26 m/s	V _{ref.} = 28 m/s
acceptable mass of single traffic signal light [kg]	I zone, III location category	I and III zone, III location category to 450m AMSL	II zone, III location category	III zone, III location category to 755m AMSL
30	1,26	1,11	0,88	0,82

Notice:

Traffic signal light has got windage:

 - for lens diameter 210: 0,22 m²,

 • for lens diameter 300: 0,39 m².

• Traffic signal light with screen dimensions

 1,4m x 0,85m has got windage 1,19 m².