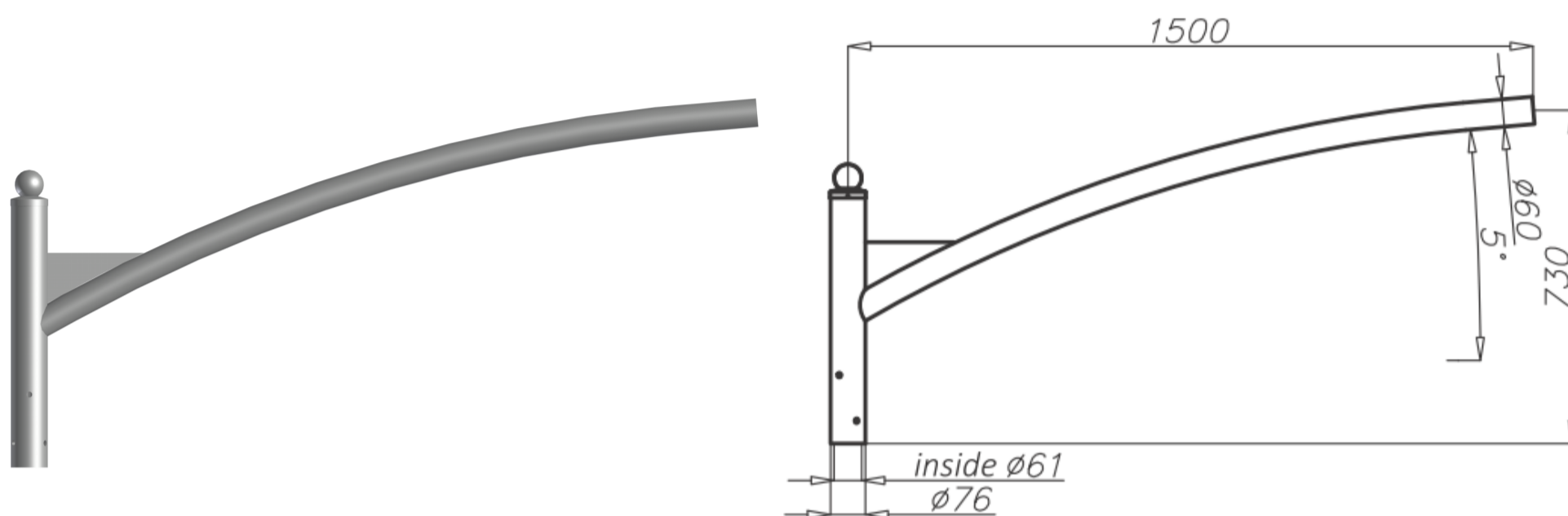


Aluminium extension arm WR-T1/1,5



Technical data

Extension arm	WR-T1/1,5
Product code	472101
Application	aluminium columns with ending $\phi 60 \times 180$
Arm quantity	1
Net weight [kg]	4,7
Windage [m ²]	0,147
Volume [m ³]	0,041
Assembling diameter of luminaire [mm]	60
Compatible luminaires	street luminaires

- anodising in 10 colours, each with possibility of brightening
- option of powder painting in RAL colours (other colours available on request)
- packing: sleeve material
- CE certificate valid for use on poles manufactured by ROSA company