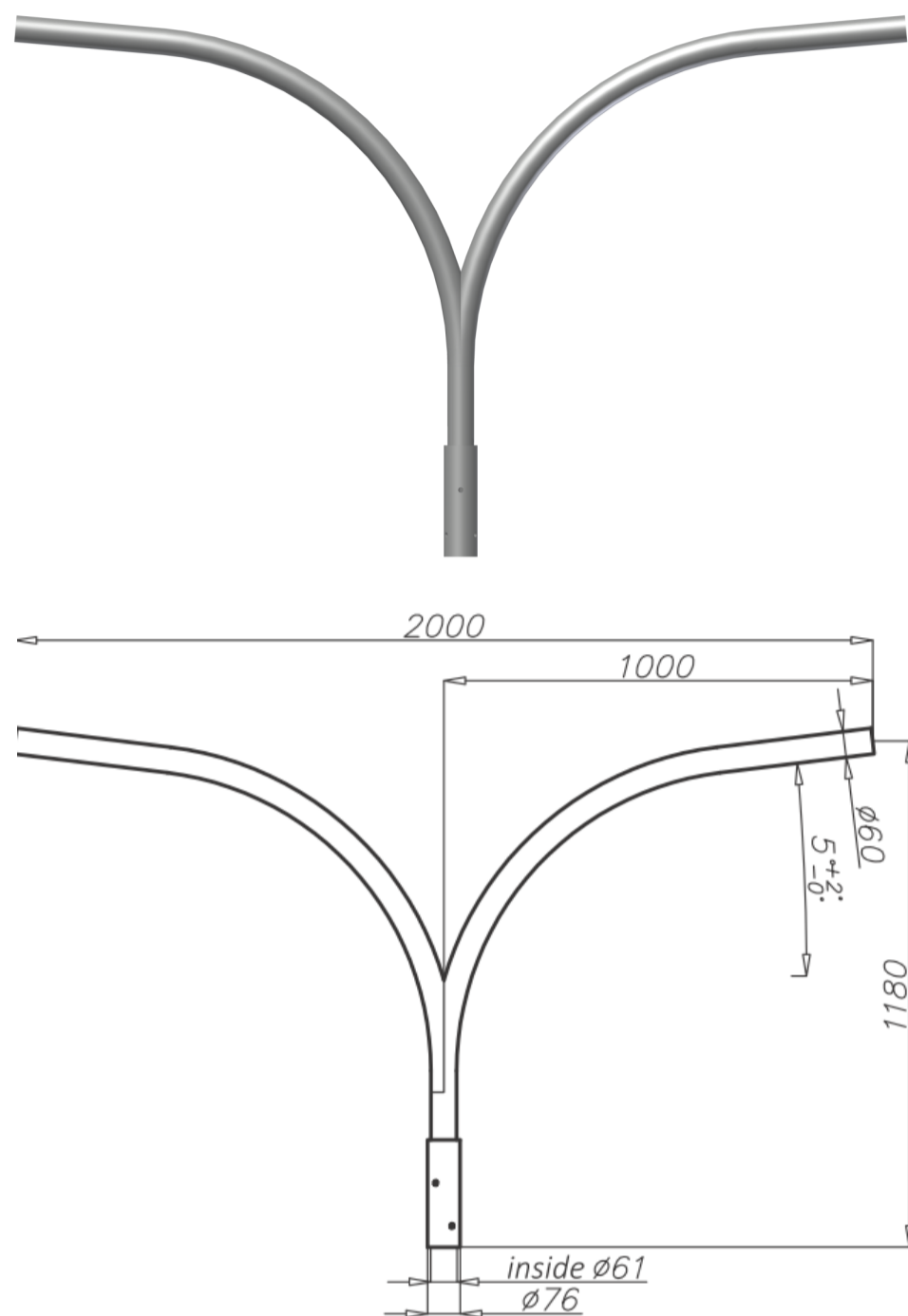


Aluminium extension arm WR-14/2



Technical data

Extension arm	WR-14/2
Product code	472142
Application	aluminium columns with ending Ø60x180
Arm quantity	2
Net weight [kg]	5,7
Windage [m ²]	0,191
Volume [m ³]	0,1
Assembling diameter of luminaire [mm]	60
Compatible luminaires	street luminaires

- anodising in 10 colours, each with possibility of brightening
- option of powder painting in RAL colours (other colours available on request)
- packing: sleeve material
- CE certificate valid for use on poles manufactured by ROSA company