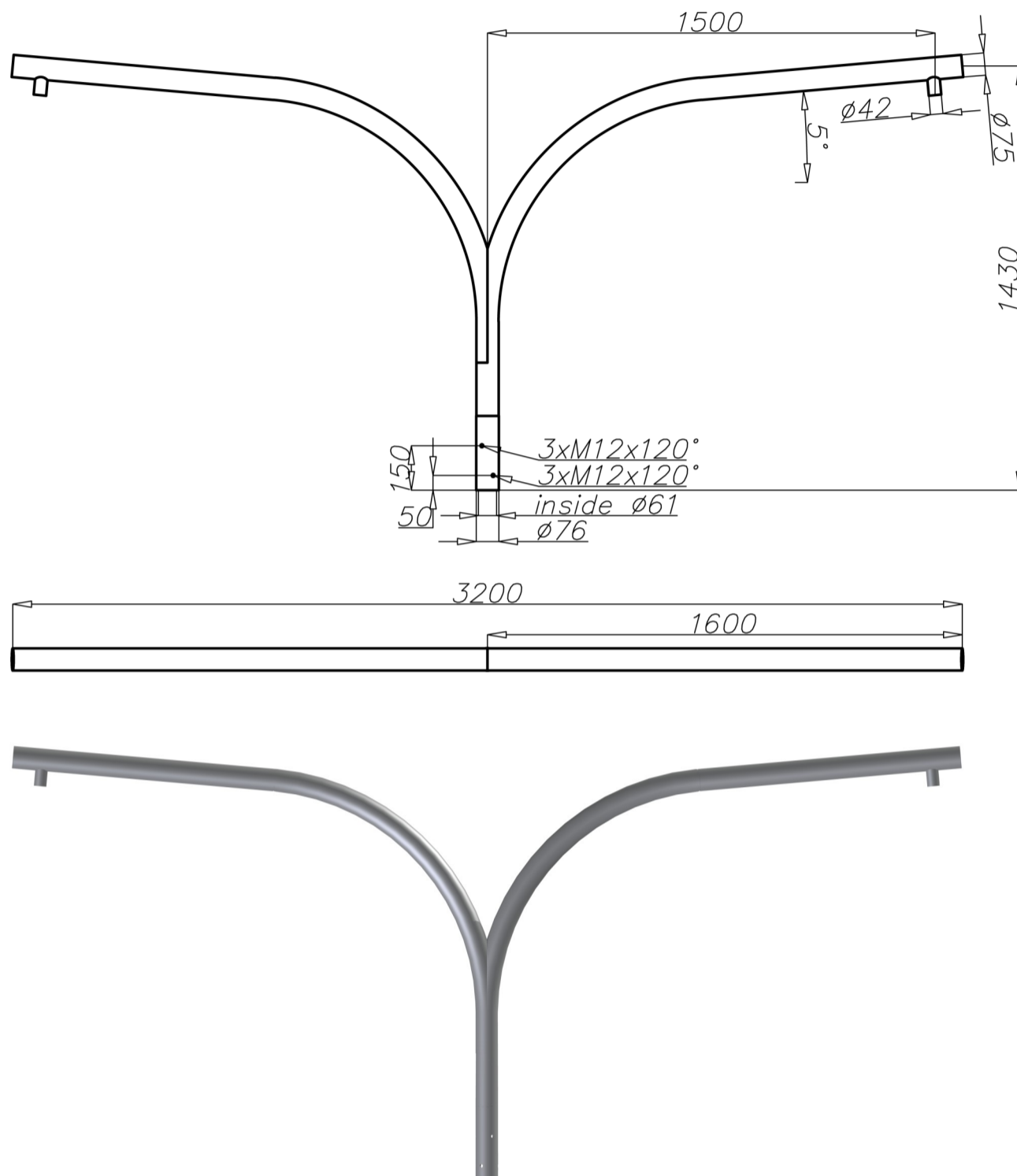


# Aluminium extension arm WR-17/2



## Technical data

Extension arm	WR-17/2
Product code	472172
Application	aluminium columns with ending $\varnothing 60 \times 180$
Arm quantity	2
Net weight [kg]	15,1
Windage [m <sup>2</sup> ]	0,343
Volume [m <sup>3</sup> ]	0,25
Assembling diameter of luminaire [mm]	$\varnothing 42$
Compatible luminaires	OW, OW-2, OW-21, OPA

- anodizing in 12 colours
- option of powder painting in RAL colours (other colours available on request)
- packing: sleeve material
- CE certificate valid for use on poles manufactured by ROSA company