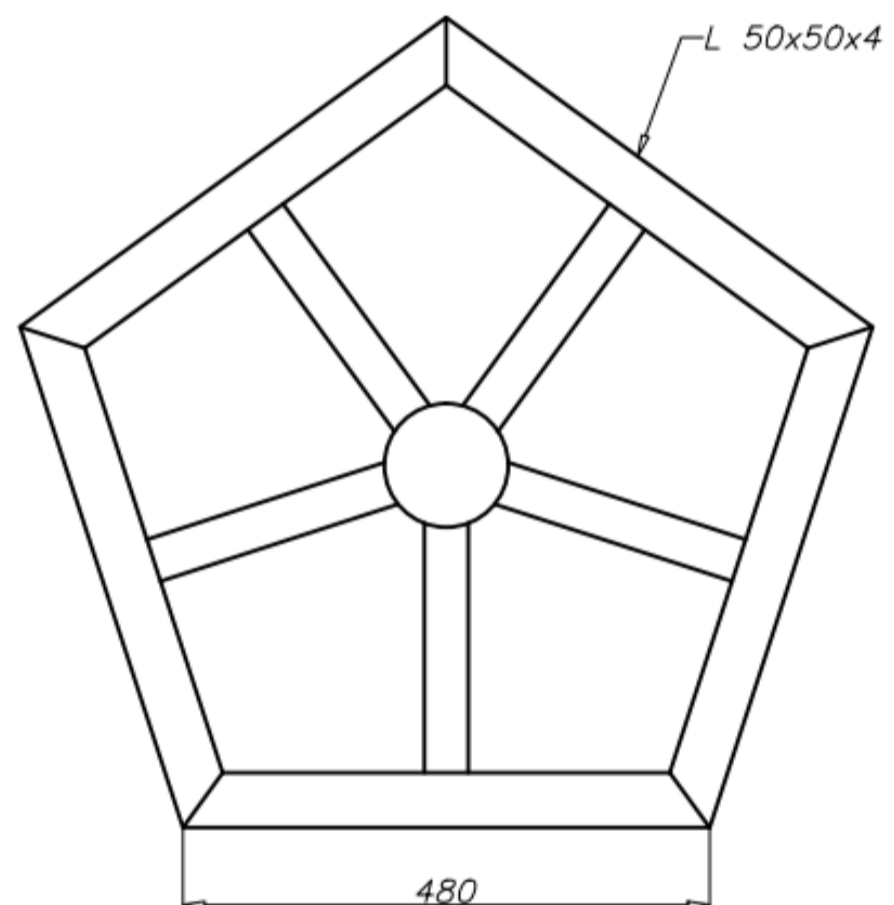
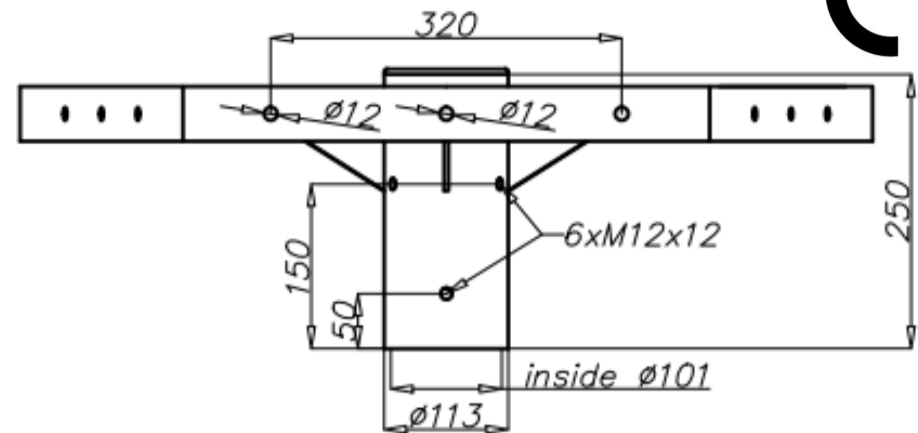
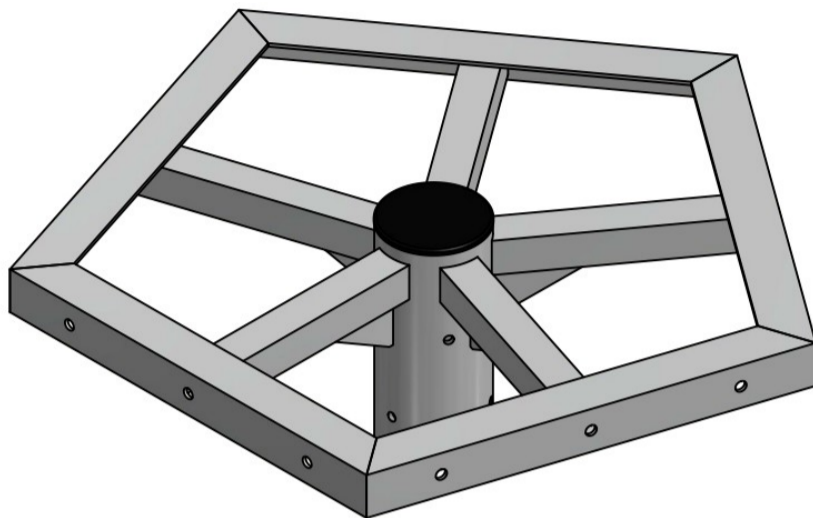


Aluminium extension arm WM-5



Technical data

Extension arm	WM-5
Product code	474050
Application	aluminium light masts with ending $\varnothing 100 \times 180$
Arm quantity	5
Net weight [kg]	5,9
Windage [m ²]	0,06
Volume [m ³]	0,05
Assembling diameter of luminaire \varnothing [mm]	60
Compatible luminaires	projectors

- anodising in 10 colours, each with possibility of brightening
- option of powder painting in RAL colours (other colours available on request)
- packing: sleeve material
- CE certificate valid for use on poles manufactured by ROSA company