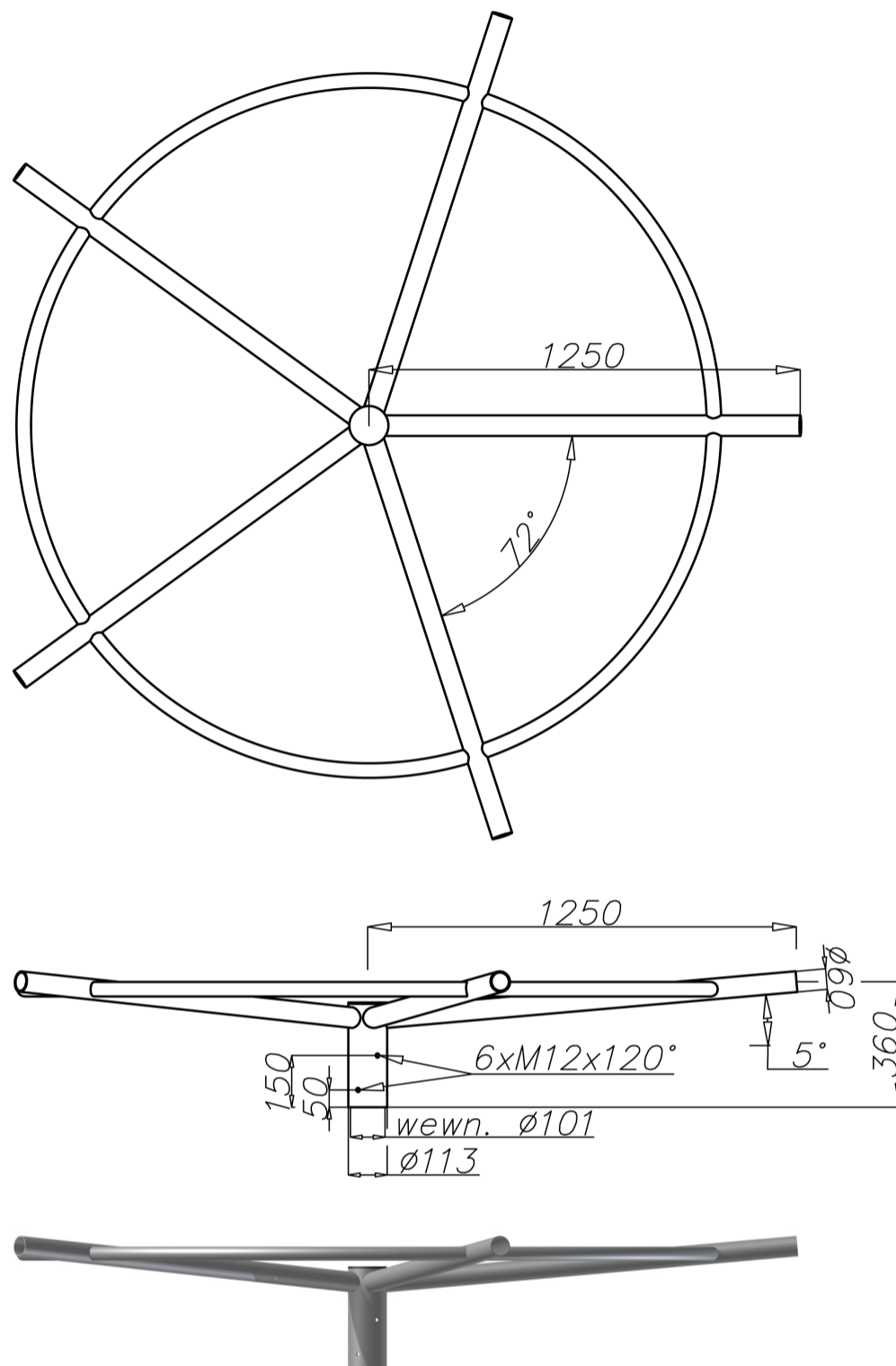


# Aluminium extension arm WRK-5



## Technical data

Extension arm	WRK-5
Product code	475050
Application	aluminium light masts with ending $\varnothing 100 \times 180$
Arm quantity	5
Net weight [kg]	20
Windage [m <sup>2</sup> ]	0,25
Volume [m <sup>3</sup> ]	0,81
Assembling diameter of luminaire $\varnothing$ [mm]	$\varnothing 60$
Compatible luminaires	street luminaires

- anodising in 10 colours, each with possibility of brightening
- option of powder painting in RAL colours (other colours available on request)
- packing: sleeve material
- CE certificate valid for use on poles manufactured by ROSA company