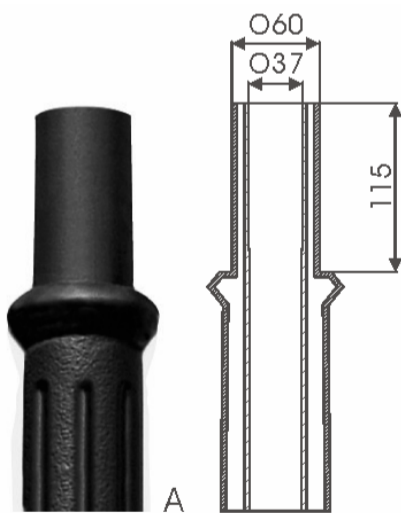
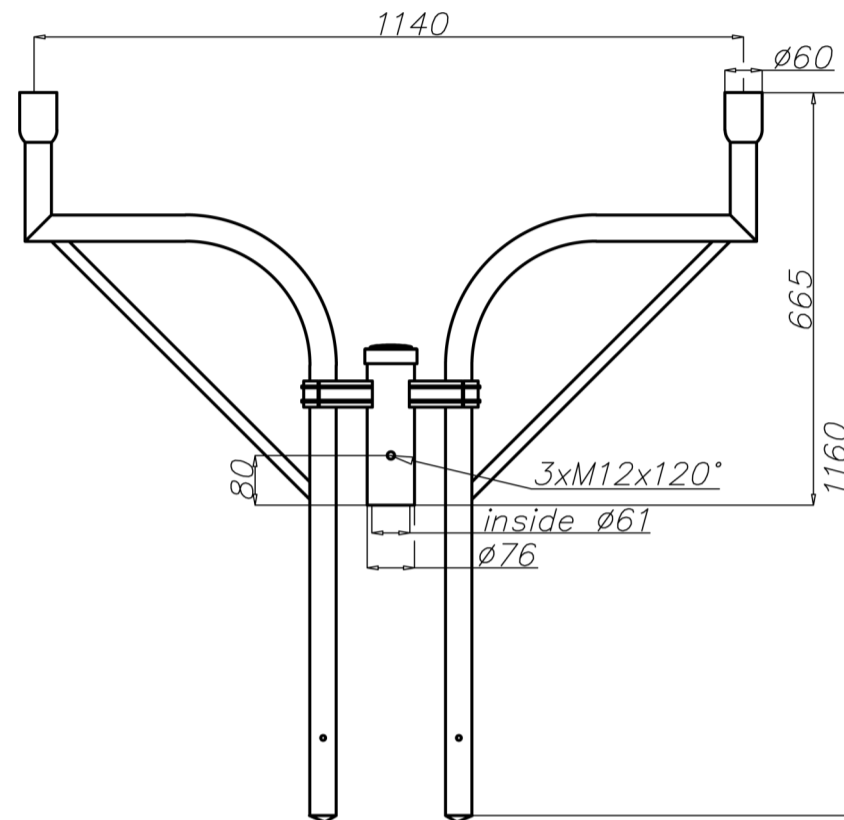


# Aluminium extension arm WT-5/2



## Technical data

Extension arm	WT-5/2
Product code	477052/C35
Application	poles type SP with spigot ending "A"
Arm quantity	2
Net weight [kg]	4,9
Volume [m <sup>3</sup> ]	0,04
Assembling diameter of luminaire [mm]	Ø 60
Compatible luminaires	OPC-1, OPA-1

- standard anodized in black
- possibility of anodizing in other colours
- option of powder painting in RAL colours (other colours available on request)
- packing: stretch foil