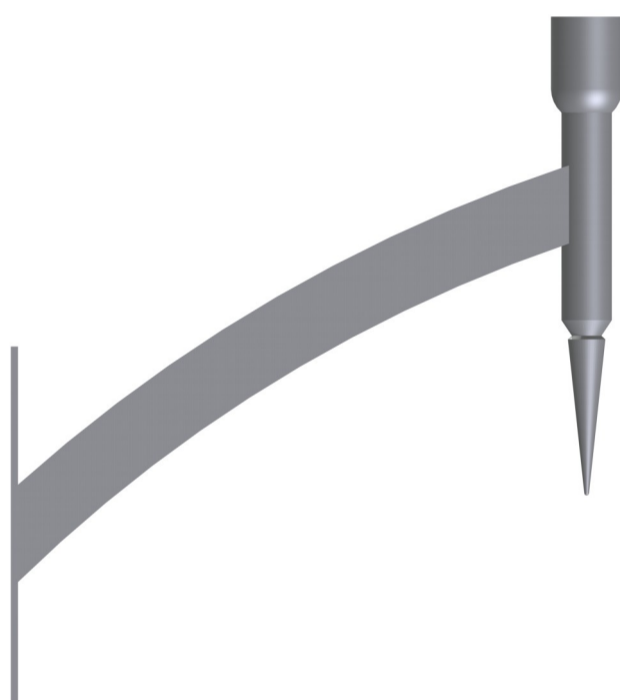
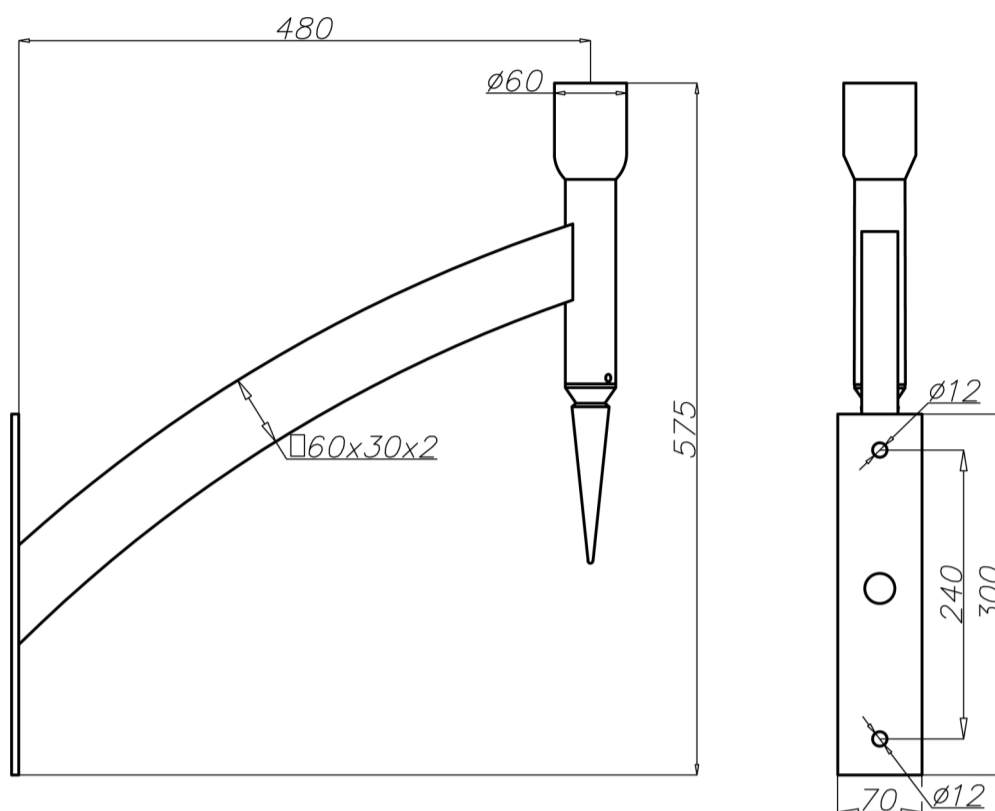


Aluminium wall bracket KA-D1



Technical data

Wall bracket	KA-D1
Product code	478103
Net weight [kg]	1,6
Volume [m ³]	0,008
Assembling diameter of luminaire Ø [mm]	Ø 60
Compatible luminaires	OP, OPA-1, OS-1, OS-1 LED, OS-11 LED

- anodising in 10 colours, each with possibility of brightening
- option of powder painting in RAL colours (other colours available on request)
- packing: sleeve material